

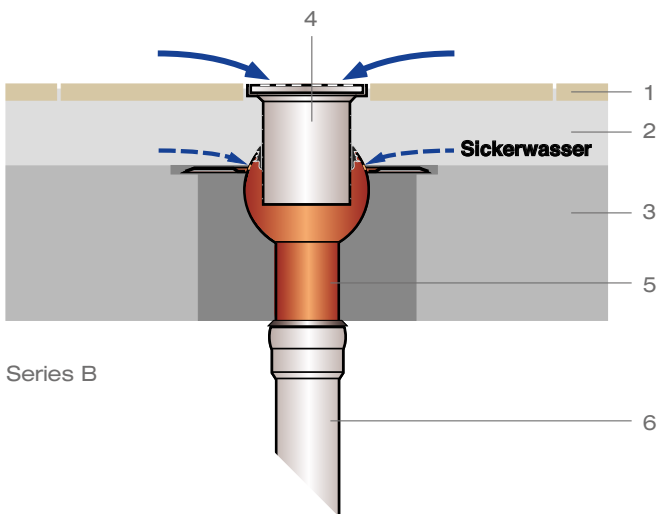
Application Example Series A:

Balcony slab with screed finish (ca. 25 mm), without sealing sheet

- 1 Screed finish
- 2 Concrete slab
- 3 Plastic strainer unit with tolerance compensation
- 4 Single drain, vertical runoff, with supporting edge
- 5 LORO-X steel discharge pipe

LORO solution:

Balcony drains with supporting edge, Series A, vertical runoff or horizontal runoff, plastic strainer unit with tolerance compensation.



Application Example Series B:

Balcony slab with tiles in mortar bedding, without sealing sheet

- 1 Tiles
- 2 Mortar bedding
- 3 Concrete slab
- 4 Strainer support, height-adjustable, and strainer made of stainless steel
- 5 Single drain, vertical runoff, with supporting edge
- 6 LORO-X steel discharge pipe

LORO solution:

Balcony drains with supporting edge, Series B, vertical runoff or horizontal runoff, with height-adjustable strainer support and strainer made of stainless steel.

See pages 19 - 20 for article numbers of Series A and B.