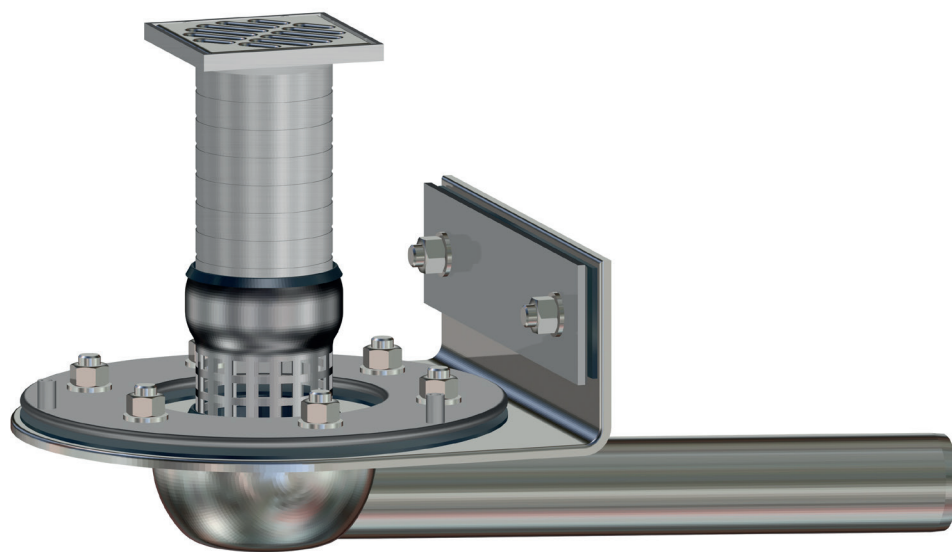


LORO-Parapet- Balcony Drains, DN 50, according to DIN EN 1253

- **for the drainage of balconies and terraces with roof edge upstand**
- **with clamping flange, for bituminous and plastic sealing sheets**
- **as emergency drain for balconies with raised parapet**



LORO-parapet-balcony drain,
for plastic sealing sheets

For the drainage of balconies and terraces with roof edge closure (parapet), LORO has developed a new, fluidically optimized gravity flow drain with clamping flange.

The new parapet-balcony drain made of galvanized steel with additional inner coating is in conformity with DIN EN 1253.

LORO-parapet-balcony drains are delivered as complete drainage system in combination with LORO rain downpipes and fittings.

They can also be used as spout with flange for the emergency drainage of balconies and terraces.

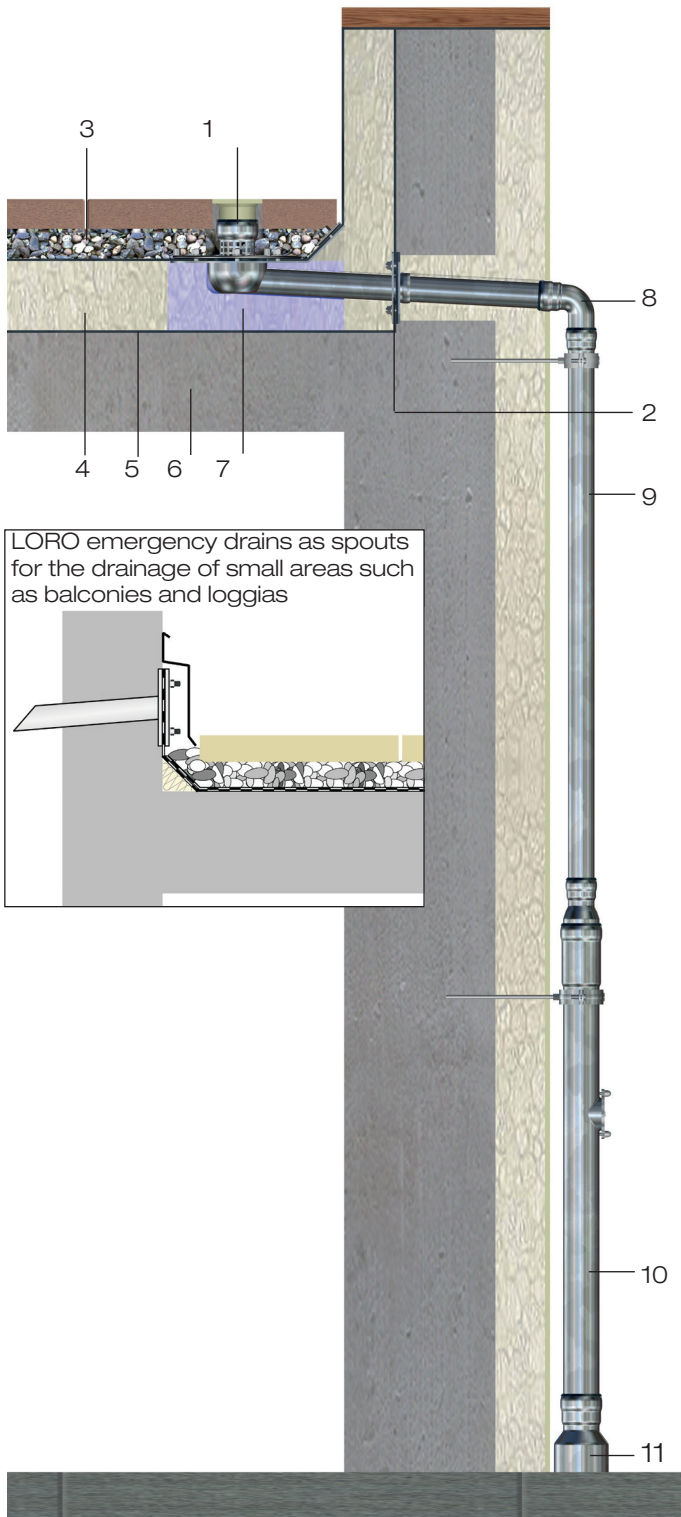
Application Examples

LORO Parapet drains, DN 50, with clamping flange, according to DIN EN 1253

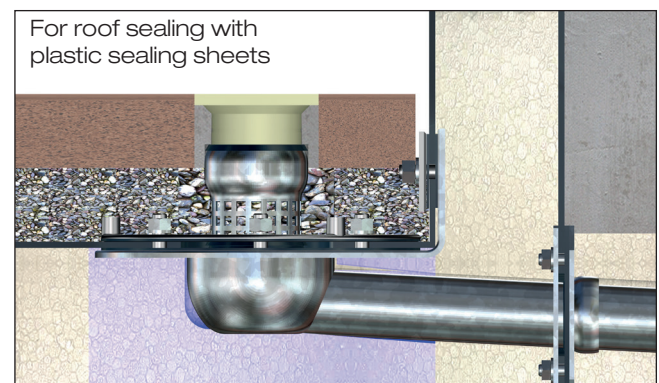
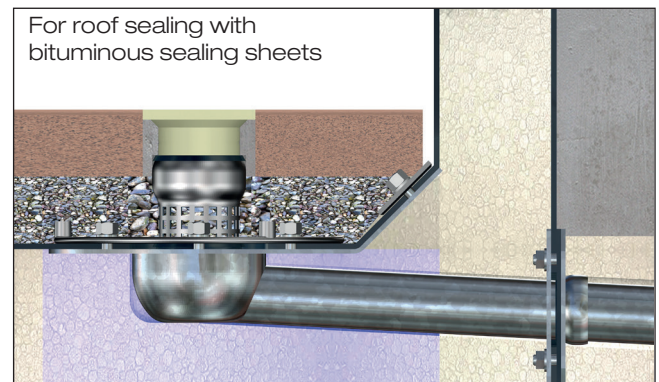
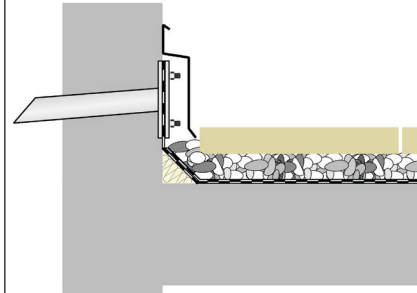
Discharge rate DN 50:

1.5 l/s*

**for bituminous and plastic
sealing sheets,**
for flat roofs, balconies and
terraces with roof edge closure (parapet)



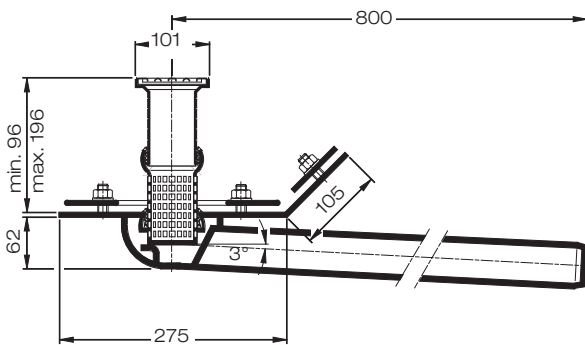
LORO emergency drains as spouts
for the drainage of small areas such
as balconies and loggias



- 1 LORO-parapet-roof-drain
- 2 LORO sliding flange
(for installation of the vapour barrier)
- 3 Bituminous sealing sheets
- 4 Thermal insulation
- 5 Vapour barrier
- 6 Concrete slab
- 7 LORO thermal insulation block
(installation aid for integration of the parapet
drain into the thermal insulation)
- 8 LORO-X bend
- 9 LORO-X rain downpipe
- 10 LORO-X rain downpipe
- 11 Connection to the ground pipe

* In compliance with test specification
according to DIN EN 1253 at a congestion
height of 35 mm.

Dimensions and Weights



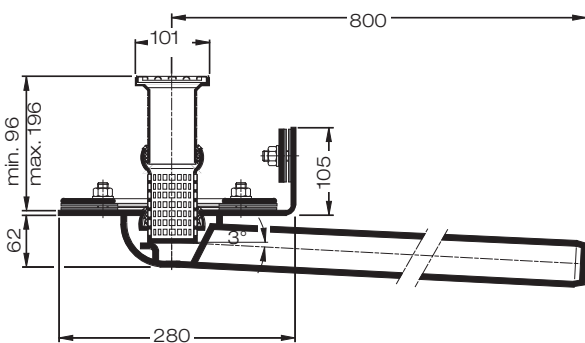
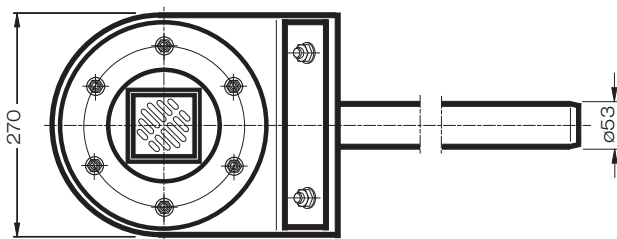
LORO-parapet-balcony-drains, DN 50, with clamping flange, for bituminous sealing sheets

made of stainless steel

consisting of:
stainless steel strainer, strainer support,
strainer pipe, loose flanges, drain body

Discharge rate: DN 50 = 1.5 l/s*

DN 50: [Art.-No. 01570.050X](#) Weight: 5.0 kg



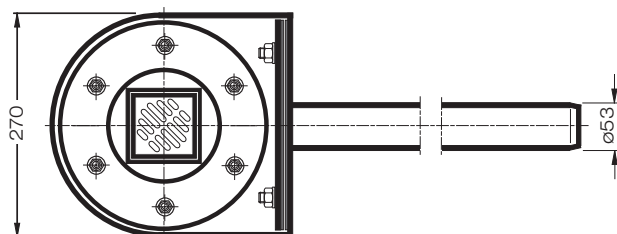
LORO-parapet-balcony-drains, DN 50, with clamping flange, for plastic sealing sheets

made of stainless steel

consisting of:
stainless steel strainer, strainer support,
strainer pipe, loose flanges, drain body

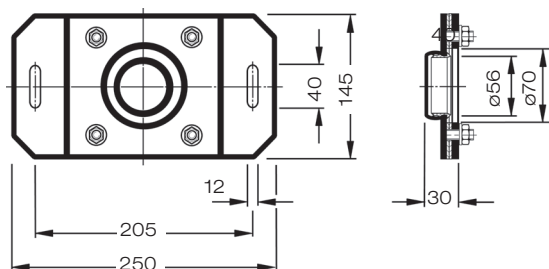
Discharge rate: DN 50 = 1.5 l/s*

DN 50: [Art.-No. 01572.050X](#) Weight: 5.0 kg

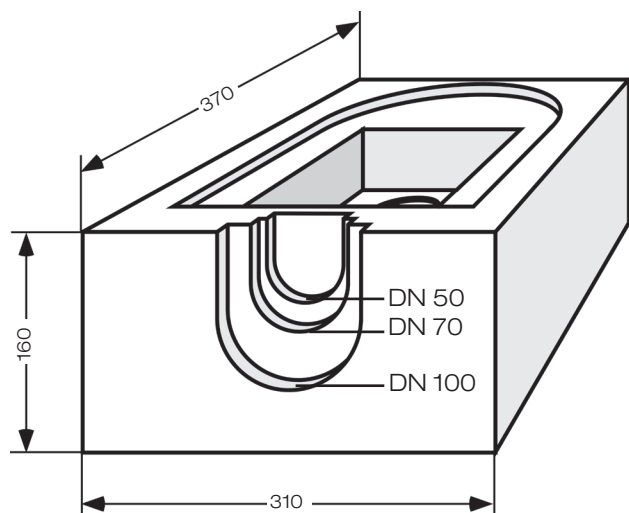


* In compliance with test specification according to DIN EN 1253 at a congestion height of 35 mm.

Dimensions and Weights



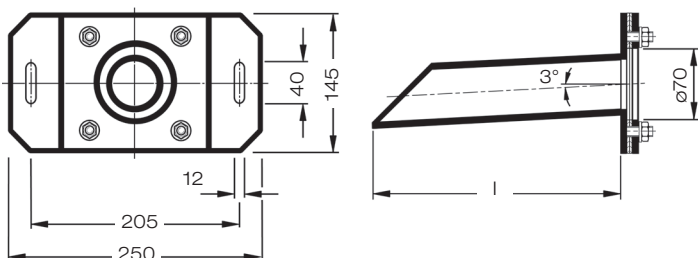
LORO sliding flange, DN 50
with clamping flange,
for installation of the vapour barrier
 made of stainless steel
 Art.-No. 13232.050X Weight: 1.4 kg



LORO thermal insulation block
 made of styrofoam SE WLG 0.35, FCKW-free,
 thermal conductivity coefficient: 0.035 W/m x K
 water vapour diffusion resistance: $\mu = 40/100$
 water intake: 0,5 - 1,5 Vol. %
 building material class B1, flame-resistant

universally applicable for LORO-RAINSTAR
 parapet drains DN 70 - DN 100
 and LORO-parapet-balcony drain DN 50

Art.-No. 01384.000X Weight: 0.6 kg



LORO spout with flange, DN 50
 made of stainless steel

Art.-No.	DN	l	kg
15070.050X	50	250	2.0
15071.050X	50	800	6.0

LOROWERK K.H.Vahlbrauk GmbH & Co.KG

Kriegerweg 1, 37581 Bad Gandersheim, Tel.: +49(0)53 82.710, Fax: +49(0)53 82.712 03
 Internet: www.loro-x.de, e-mail: infocenter@lorowerk.de