



Series IV

LORO-X Series IV

for direct installation in balconies made of waterproof concrete, made of galvanized steel, additionally coated, DN 50, DN 70 and DN 100

Main drainage

Gravity flow

water height
35 mm

For setting in concrete

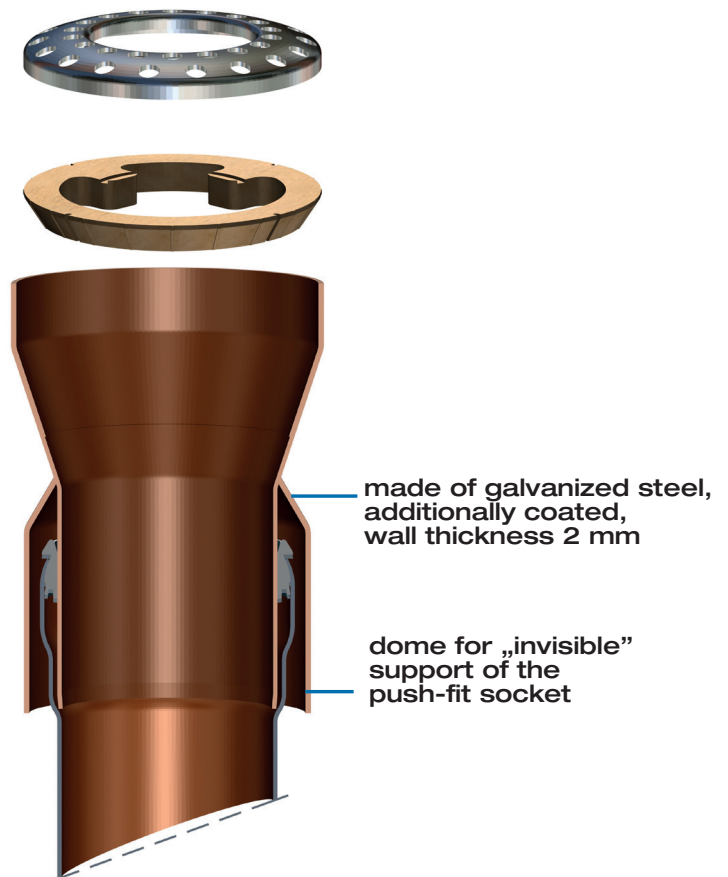
Series IV, vertical runoff

With flexibly positionable support ring instead of fixed support cams: Thus, the insertion angle of the pipe coming from above can be freely chosen during the installation on site.

Standard availability of the drains for plate thickness from 95 to 220 mm.

Proven quality:

Usage in the precast concrete sector for over 50 years.



Advantages:

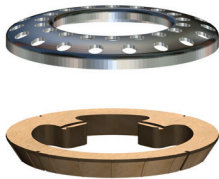
- Building material class A1 incombustible for fire prevention
- Galvanized steel offers an increased protection in the case of chloride pollution in comparison to conventional stainless steel in 1.4301 and with additional coating
- Protection against corrosion at the drain in case of existing adhesion on the steel ground
- Resistance against contact corrosion (e. g. for zinc pipes), against pitting or stress corrosion and in the case of contact with reinforced steel
- A very good compatibility with alkaline and carbonated concrete
- High diffusion resistance towards steam and oxygen



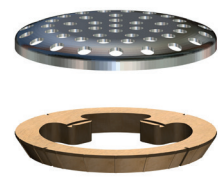
LORO-X Series IV

with dome without support cams for direct installation in balconies made of waterproof concrete

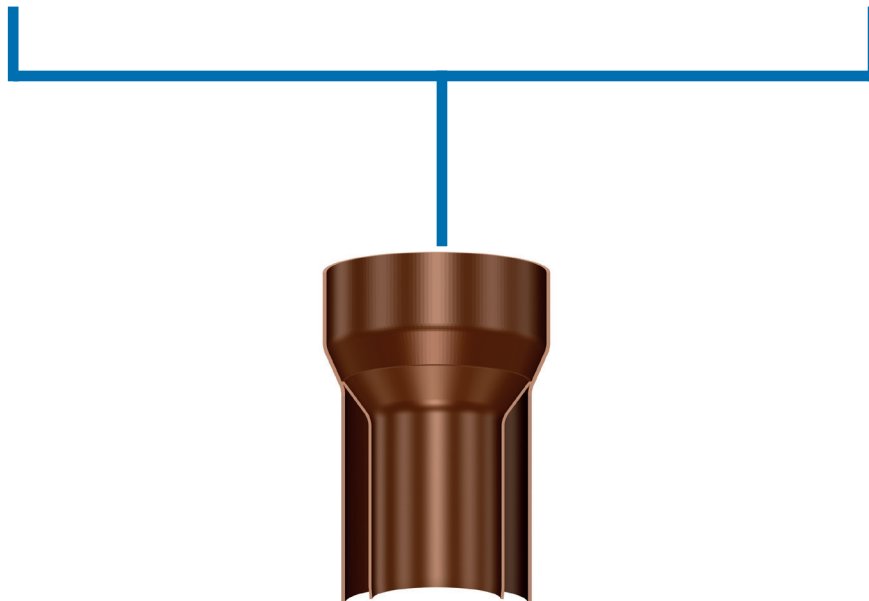
Setup diagramm



Strainer unit for **balcony floors**
with support ring and ring strainer
Art.-No. 20422.050X
Art.-No. 20422.070X
Art.-No. 20422.100X



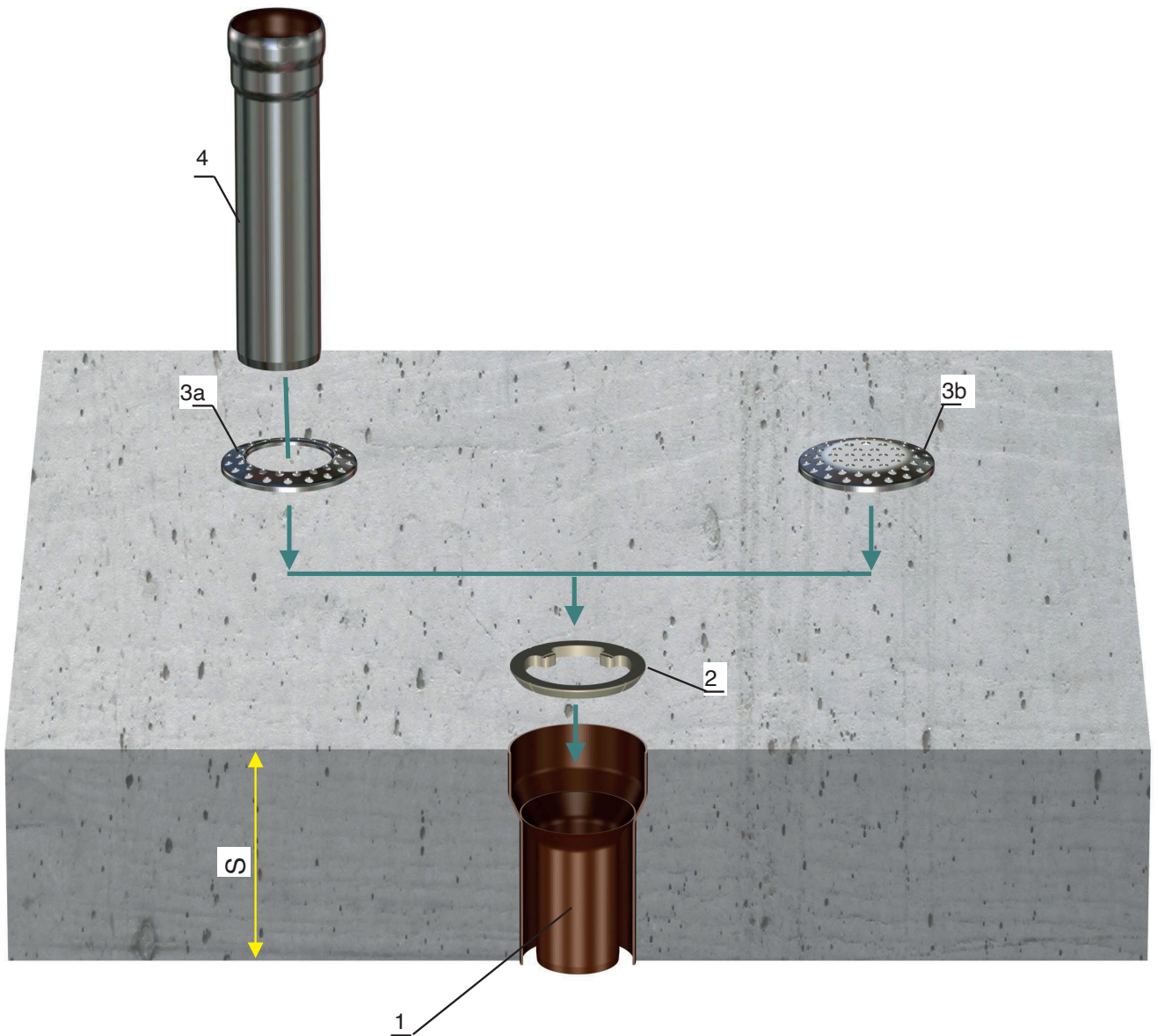
Strainer unit for **upper balconies**
with support ring and end strainer
Art.-No. 20421.050X
Art.-No. 20421.070X
Art.-No. 20421.100X



Series IV
with dome, DN 50, DN 70 and DN 100
without support cams for plate thickness from:

Plate thickness	DN 50	DN 70	DN 100
95	16345.050X	16345.070X	-
120	16340.050X	16340.070X	16340.100X
140	16341.050X	16341.070X	16341.100X
160	16342.050X	16342.070X	16342.100X
180	16343.050X	16343.070X	16343.100X
200	16344.050X	16344.070X	16344.100X
220	16346.050X	16346.070X	16346.100X

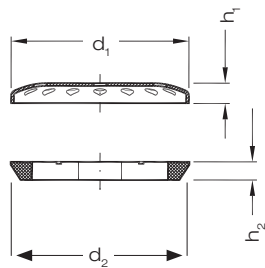
Application example



Pos.	Name	Art.-No.
1	Direct drain DN 70 with dome, Series IV	
	for plate thickness S = 95 mm	
	for plate thickness S = 120 mm	16340.070X
	for plate thickness S = 140 mm	16341.070X
	for plate thickness S = 160 mm	16342.070X
	for plate thickness S = 180 mm	16343.070X
	for plate thickness S = 200 mm	16344.070X
2	Support ring	18101.070X
3a	Ring strainer with pipe feed-through for balcony floors	16193.070X
3b	End strainer without pipe feed-through for upper balconies	16191.070X
4	continuing LORO-X pipe DN 70	

Dimensions and weights

LORO Balcony direct drains, Series IV, with dome without support cams



Strainer unit for upper balconies

with support ring and end strainer

Art.-No. 20421.050X

weight: 0.10 kg

Art.-No. 20421.070X

weight: 0.2 kg

Art.-No. 20421.100X

weight: 0.5 kg

DN	d ₁	d ₂	h ₁	h ₂
50	98	98	11	10
70	118	118	12	9
100	140	140	14	10

Strainer unit for balcony floors

with support ring and ring strainer

Art.-No. 20422.050X

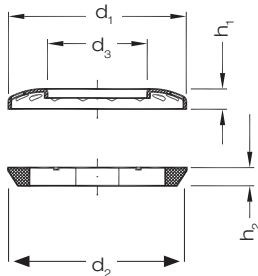
weight: 0.10 kg

Art.-No. 20422.070X

weight: 0.12 kg

Art.-No. 20422.100X

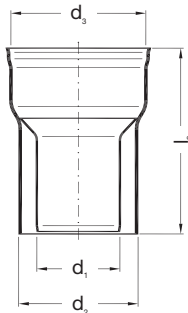
weight: 0.5 kg



DN	d ₁	d ₂	d ₃	h ₁	h ₂
50	98	98	55	11	10
70	118	118	75	12	9
100	140	140	104	14	10

Direct drain with dome

without support cams



Art.-No.	DN	d ₁	d ₂	d ₃	l ₂	kg
16345.050X	50	53	89	98,5	95	0.6
16340.050X	50	53	89	98,5	120	0.7
16341.070X	50	53	89	98,5	140	0.8
16342.050X	50	53	89	98,5	160	0.9
16343.050X	50	53	89	98,5	180	1.1
16344.050X	50	53	89	98,5	200	1.2
16346.050X	50	53	89	98,5	220	1.3
16345.070X	70	73	102	118	95	0.7
16340.070X	70	73	102	118	120	0.8
16341.070X	70	73	102	118	140	1.0
16342.070X	70	73	102	118	160	1.1
16343.070X	70	73	102	118	180	1.3
16344.070X	70	73	102	118	200	1.4
16346.070X	70	73	102	118	220	1.6
16340.100X	100	102	133	140	120	1.4
16341.100X	100	102	133	140	140	1.7
16342.100X	100	102	133	140	160	1.9
16343.100X	100	102	133	140	180	2.2
16344.100X	100	102	133	140	200	2.5
16346.100X	100	102	133	140	220	2.7

Do not hesitate to contact us for further information or to place an order:



LOROWERK

K.H. Vahlbrauk GmbH & Co. KG

Kriegerweg 1 • 37581 Bad Gandersheim,

Postfach 13 80 • 37577 Bad Gandersheim

Tel. +49 5382 71 0 • Telefax +49 5382 71 2 03

Internet: www.loro-x.com • e-mail: infocenter@lorowerk.de